



# COUNT RELAY

# COUNT RELAY

## SBCR SERIES

### GENERAL INFORMATION

Count relay (SBCR-SERIES) is device to protect burning out of motor starting reactor due to the overheating while motor is starting with reactor operating method.

It is equipped with function including time limit for activation, frequency of activation and idle time for reactor cooling.

### ORDERING INFORMATION

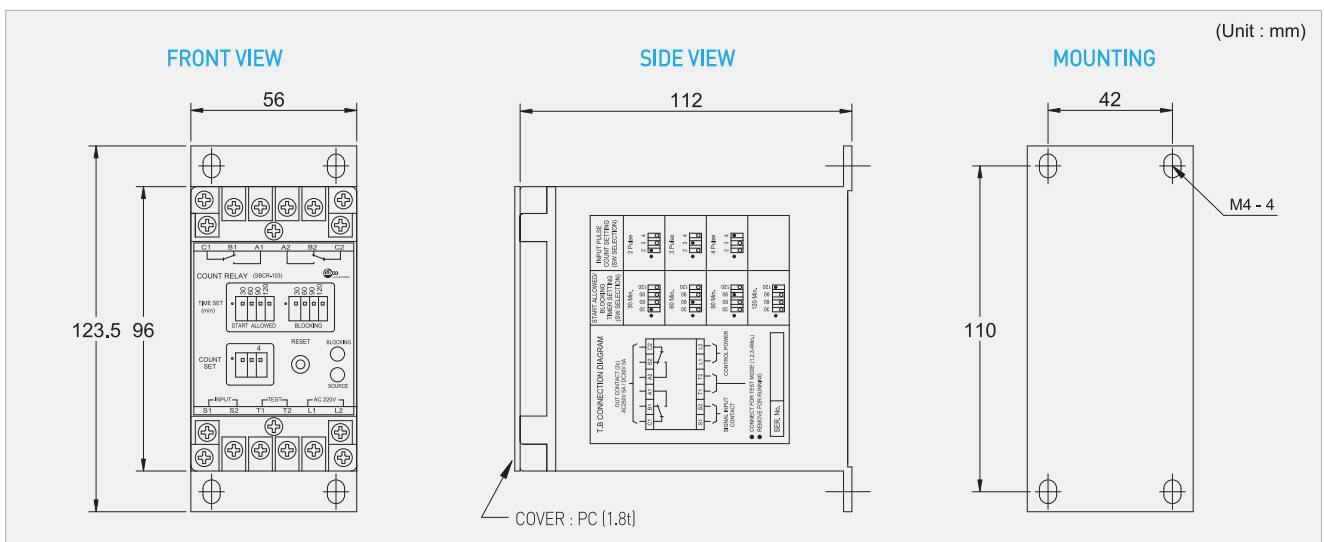
## SBCR - 203

103	AC 110V
203	AC 220V
D24	DC 24V
D48	DC 48V
D103	DC 110V

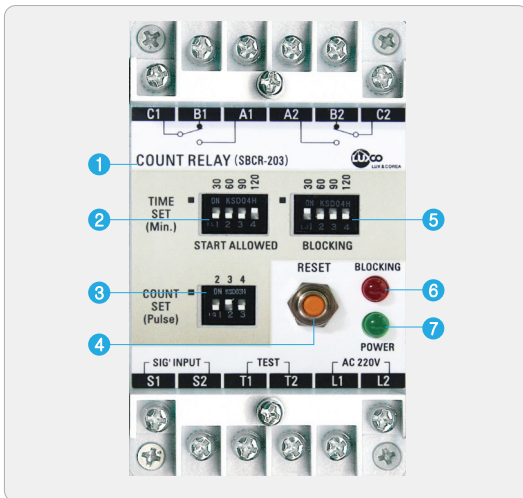
### ORDERING INFORMATION

MODEL		SBCR-103	SBCR-203	SBCR-D24	SBCR-D48	SBCR-D103
POWER INPUT RATING		AC85~135V 50/60Hz	AC176~264V 50/60Hz	DC18~30V	DC36~60V	DC88~135V
POWER CONSUMPTION		3VA(max.)				
INPUT SIGNAL		"a" or "b" contact selectable				
START ALLOWED TIMER SETTING RANGE		Run mode 4 step (30-60-90-120min.) Test mode 4 step (1-2-3-4min.)				
BLOCKING TIMER SETTING RANGE		Run mode 4 step (30-60-90-120min.) Test mod 4 step (1-2-3-4min.)				
COUNT PULSE SETTING RANGE		3 step (2-3-4 cycle)				
SHIFT TIME		1 sec. / cycle				
OUTPUT CONTACT RATING (2c)		30VDC 5.0A (resistive) 3.0A (inductive p.f=0.4) 250VAC 5.0A (resistive) 2.0A (inductive p.f=0.4)				
DIELECTRIC STRENGTH		2.5KV between all terminals and enclosure				
ENCLOSURE	MATERIAL	PC (polycarbonate) - Flame retardant(UL94 V-0) - TRIREX3025G10 / Glass fiber reinforced				
	DIELECTRIC STRENGTH	31KV / mm				
AMBIENT TEMPERATURE RANGE		-20°C ~ +45°C				

### ORDERING INFORMATION

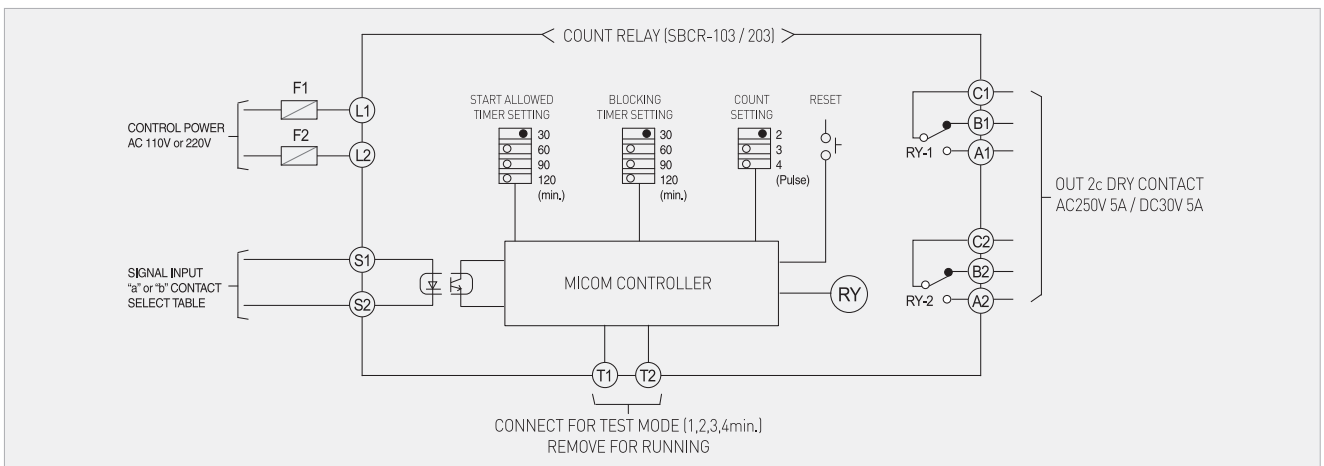


## GENERAL SPECIFICATIONS



- 1 Model No. ----- COUNT RELAY (SBCR-103 / 203 / D24 / D48 / D103)
- 2 Start allowed timer setting ----- 4 step (30 -60 -90 -120min.) Select by dip switch
- 3 Limited starting cycle ----- 3 step (2-3-4 cycle) Select by dip switch
- 4 Reset button ----- push button switch
- 5 Blocking timer setting ----- 4 step (30-60-90-120min.) Select by dip switch
- 6 Blocking indicator ----- LED (light up in Red)
- 7 Power indicator ----- LED (light up in Green)

## CONNECTION DIAGRAM



## OPERATIONS & FLOW CHART

**BLOCKING**

1. Time "t" starts when the first count signal is inputted
2. If the last signal (2T / 3T / 4T) is inputted within the start allowed time (t), blocking will start instantly, and it will last 30-120min. (you can set the blocking time : 4 steps - 30 / 60 / 90 / 120min)

**RESET**

1. If the last signal has not been inputted within the time "t", is automatically reset and operation is initialized to allow new scanning of count signal.
2. There is a push button for manual reset. You can press it anytime you want to reset the operation.

